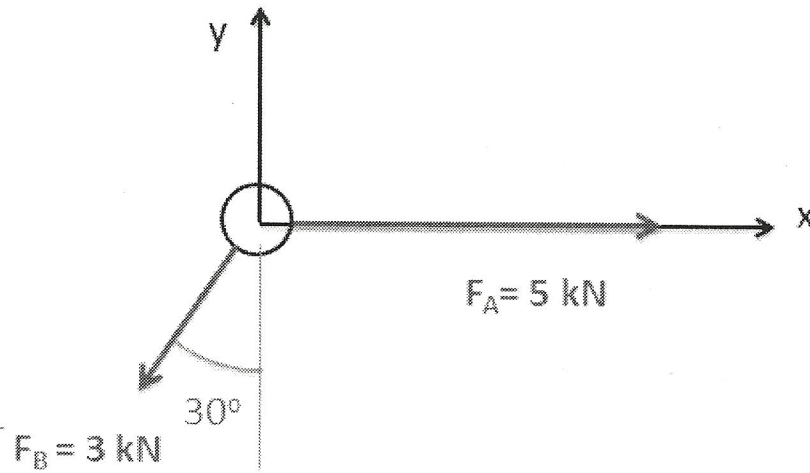


Calculate the cross product of force vectors A and B in the diagram below by hand.



$$|F_c| = |F_A| |F_B| \sin \theta$$

$$|F_c| = (5 \text{ kN})(3 \text{ kN}) \sin(-120^\circ)$$

$$|F_c| = -12.99 \text{ kN}^2$$

use right hand rule

$$F_c = [0, 0, -12.99] \text{ kN}^2$$